

# 2011 RULE CHANGES

## AQHA Official Handbook of Rules and Regulations

Effective January 1 of 2011

### 403. AMATEUR ELIGIBILITY

(a) The application for amateur membership must be true and correct in each detail. A false statement shall be grounds for possible disciplinary action under AQHA's disciplinary procedure, which includes suspension, fine and/or expulsion from membership. In addition to the requirements of rules 101 and 402, a person is eligible for an amateur membership and maintains eligibility when he or she:

(1) Is 19 years of age on or before January 1 of the year of application and no longer eligible to compete in AQHA youth classes;

(2) An amateur may show in the select classes on the day they turn 50 years of age.

(3) Has not shown, judged, trained or assisted in training a horse (whether or not a registered American Quarter Horse) for remuneration, monetary or otherwise, either directly or indirectly, nor received remuneration for instructing another person in riding, driving, training or showing a horse for five calendar years previous to application for amateur membership; **individuals that are age 60 and over and meet the above requirements may apply for amateur status in three calendar years rather than five calendar years**, an exception exists with respect to an amateur member certified as an instructor in equitherapy by North American Riding for the Handicapped Association (NARHA) or similar organizations. Such approved organizations shall be compiled and maintained by the AQHA Amateur Department. The excepted instructor shall teach only students enrolled with an approved organization or prescribed such rehabilitation by a licensed medical doctor. Any amateur competitor excepted under this provision shall file such certification with the AQHA Amateur Department prior to any competition by such individual.

**(4) A youth who is 19 years of age of the current year and earns youth points from August 1st to December 31st in the youth's final year will count toward Amateur qualifying for the upcoming Amateur World Show.**

### 405A. NOVICE ELIGIBILITY FOR AMATEUR & YOUTH.

(c) Once an individual has earned 25 AQHA novice amateur, amateur, novice youth, youth or open points, or any combination thereof, in a skill set; or, won a world or reserve world in an AQHA-approved event, national or reserve national championship title in any equine organization **or association**; or won a total of \$5,000 in cash and prizes with any equine breed organization, he/she will no longer be eligible to participate in the novice skill set containing that class(es) in subsequent years but may continue to compete in that novice skill set until the end of the calendar year in which the afore-mentioned instances occurred. Any individual who has been an accredited horse show judge will not be eligible to participate in novice skill sets.

(h) **Novice exhibitors may participate in an AQHA approved show without the use of permits. This will allow Novice Exhibitors to compete with non-owned horses in novice division classes only. The recorded owner retains the ability to show the same horse in any class other than the same class as the novice exhibitor. This option is not available to competitors at the top 10 show circuits. The top 10 show circuits will be determined by the number of entries in the previous year.** For the top 10 shows (provided the show accepts permits), a novice amateur or novice youth member may apply for up to 10 permits allowing them to compete with one permit per show on a non-owned horses in novice division classes only. Points earned by novices, whether using permits or not, will count toward the 25-point cap per skill set for novice eligibility. Applications for permits shall be directed to the AQHA Show Department on application forms provided by AQHA or an application may be filled out at an AQHA-approved show, and be granted as AQHA, in its sole discretion, determines. Exhibitors must have a current novice amateur or novice youth membership to participate. All novice rules still apply whether using permits or not.

## LIMITED RIDER AND NOVICE SKILL SETS

A	Halter/Performance Halter	O	Western Pleasure
B	Reining		***2-Year-Old Pleasure
C	Working Cow Horse		***Green Western Pleasure
D	Trail	P	Western Horsemanship
	***Green Trail	Q	Hunter Under Saddle
E	Western Riding		***Green Hunter Under Saddle
	***Green Western Riding	R	Hunt Seat Equitation
F	**Team Penning	S	Tie-down Roping
G	**Ranch Sorting	T	Breakaway Roping
H	Barrel Racing	U	Heading
I	Pole Bending	V	Heeling
J	Stake Race	W	Cutting
K	*Jumping	X	Showmanship
L	Working Hunter	Y	*Pleasure Driving
	***Green Working Hunter	Z	*Versatility Ranch Horse
M	Hunter Hack	<b><u>1</u></b>	<b><u>Cowboy Mounted Shooting</u></b>
N	Equitation Over Fences		
*	No novice skill set for novice youth		
**	No novice skill set for novice amateur or novice youth		
***	Open only		

### 405C. NOVICE AMATEUR AND NOVICE YOUTH SHOWING LEASED HORSES

**(d) Amateurs and youth may show leased horses with the following guidelines:**

**(1) Prior notification must be given to AQHA on a "showing" lease form and a copy of the detailed agreement between the two parties must accompany the lease form.**

**(2) The lessee (amateur or youth) must be responsible for all expenses relating to the horse.**

**(3) The leased horse may be shown by the amateur or youth leasing the horse. Immediate family members and trainers are allowed to exhibit the horse as well.**

**(4) A lease would be in effect for a minimum of one year and the lease must be to an individual only.**

**(5) Only one lease covering a horse will be recognized at a time.**

### 407. SHOW APPROVAL

(a) All approved classes must be open to any American Quarter Horse owner meeting age, ownership and eligibility requirements. Membership in AQHA and/or AQHYA for youth competition is the only mandatory membership. Show approval is a privilege, not a right, granted or rejected at AQHA discretion on an annual basis according to continuous evaluation of the applicant, including, but not limited to competence of show management, enforcement of AQHA rules, quality of show, and service to AQHA members. Applicants desiring to hold an AQHA-approved show must obtain prior tentative AQHA approval. To obtain tentative approval for a previously approved show, an application form available from AQHA must be correctly and entirely completed if show results and points awarded to the horses are to be accepted and entered in AQHA records as official. **A \$100 non-refundable application fee must also accompany the initial application. There are no diskette refunds. For new show approval, a letter of request must be directed to the Director of Shows for investigation. A \$100 processing fee for new show applications or requests will be assessed, if the show is approved that amount will be applied as show approval. If not approved, \$50 will be refunded to the requesting group, organization or individual. A \$25 non-refundable change fee will be implemented for priority date or location changes.** For approval of a Special Event, All-Novice, Versatility Ranch Horse. Introductory Show and Equestrians with Disabilities, a \$50 fee must be submitted for each date requested. If special event or other date is approved the \$50 fee will be applied to show approval. The

fee will not be refunded if the special event is not held or cancelled. However, if the special event date is denied the \$50 fee will be refunded.

(i) A show not approved or held the prior year is considered a new show. **A show will not retain priority dates in subsequent years if it cancels for reasons other than:**

**•Acts of God (fire, flood, blizzard, tornado, hurricane, etc.)**

**•Facility conflict (with written verification from facility)**

**•Loss of facility beyond show management's control (with written verification from facility)**

**•Conflict with AQHA regional events**

(l) Show management has the option of holding some classes the afternoon or evening before their approved show date(s) provided that afternoon or evening does not conflict with another existing approved show as outlined above. For example, at a weekend show, the Saturday show may begin the preceding Friday afternoon and the Sunday show may begin on Saturday afternoon after all Saturday classes are completed. The exceptions being that if a facility has two or more arenas:

**(3) One show may begin before the other is finished for valid reasons provided by show management and prior permission is granted by AQHA.**

(x) The applicant(s), organizer(s) and management of Introductory Show understand and agree that:

**(4) Incentive Fund is not to be paid on points earned at Introductory shows.**

#### **408. AMATEUR DIVISION APPROVAL**

(b) At show management's option, any number of performance classes may be offered as select (ages 50 and over) and the exhibitor has the option of competing in the select class or the all-age class. Further, management will combine these classes back to an all-age class should there be less than three entries in the select **or amateur** class. Jumping may only be offered as all-age class.

#### **414. SHOW RESULTS**

(a) The results of any AQHA-approved show must be provided in their entirety on official AQHA forms and forwarded to AQHA. All forms necessary to report show results will be supplied to show management upon show approval. Computerized show results **must be used by show management**, a sample format may be obtained, by request, from AQHA. Show management must submit a roster of all horses entered. Show results will be kept on file at AQHA for two calendar years including the year the show is held. **Shows failing to submit show results in an accepted electronic format will not receive priority dates for the following year.**

**(e) Show management (U.S. and Canada) will be fined at least \$50 per day for every day their show results are late after 10 days after the closing day of said show. At AQHA's discretion, failure to submit show results after 10 days of the closing day of the show could result in approval being denied the following year.**

#### **417. ALL-AROUND TROPHY. OPEN, AMATEUR, SELECT AMATEUR, YOUTH.**

(c) Category I Halter/Performance Halter

Category II Reining  
Working Cow Horse  
Western Riding  
Trail

Category III Team Penning  
Ranch Sorting  
Barrel Racing  
Pole Bending  
Stake Race\*\*\*

**Cowboy Mounted Shooting**

(i) For Select Amateur All-Around.

(1) All requirements remain the same as with earning a select all-around as with an amateur all-around with the exception that ONLY select class will count for earning a select all-around trophy. **Should the Select class be combined with the Amateur All Age class, the points earned by the select will count toward their All-Around eligibility as a Select.**

**422. ACHIEVEMENT AWARDS.** The following events in the open, youth and amateur divisions, divided into categories, have been approved for Register of Merit, AQHA Versatility, AQHA Champion, AQHA Supreme Champion, AQHA Superior (Event) Horse, AQHA Performance Champion and Youth Supreme Performance Champion Points:

Category III	Team Penning
	Ranch Sorting
	Barrel Racing
	Pole Bending
	Stake Race***
	<b><u>Cowboy Mounted Shooting</u></b>
<b><u>Category X</u></b>	<b><u>Dressage</u></b>

#### **434. SHOW MANAGER**

(e) One-day/one-judge shows **should** not run more than 15 consecutive hours from the scheduled starting time to the conclusion of the show, including all breaks. Multi-day/one-judge shows, multi-day/multi-judge shows, and multi-judge/one-day shows **should** not exceed 15 hours per day from the judge's actual starting time to the conclusion of his/her last class. Show management **will be subject to a review and a possible fine of \$100** for every hour or portion thereof past the 15-hour limit.

**437.5 AQHA STEWARDS.** **Designation as an AQHA Steward is a privilege, not a right, bestowed by the Executive Committee according to procedures formulated by it, to individuals whose equine expertise and personal character merit the honor. An individual's conduct as an AQHA Steward must be exemplary and is subject to continual Executive Committee review, with an automatic review after three (3) years of becoming an AQHA Steward. Designation as an AQHA Steward is revocable by the Executive Committee at any time with or without cause and with or without notice and formal hearing. An AQHA Steward's responsibilities are as follows:**

**(a) Monitor show grounds for inhumane treatment of horses and unsportsmanlike conduct;**

**(b) Answer exhibitors' questions about rules;**

**(c) Assist show officials with proper set up of practice jumps and courses;**

**(d) Investigate complaints of class filling;**

**(e) Evaluate potentially unsafe conditions related to the show, e.g. poor footing in the warm-up area, and bring to attention of show management to correct;**

**(f) Issue warning or removal cards from show ground as warranted according to AQHA rules and/or guidelines;**

**(g) Timely file an AQHA Steward's report and evaluation with AQHA; and**

**(h) Adhere to the AQHA Stewards Code of Ethics.**

#### **438. JUDGES.**

(a) Judges must:

(1) hold current individual AQHA membership as specified in rule 101 and are considered delinquent if not paid within the month following expiration. A judge delinquent in the payment of dues for a period of **three** months after the delinquent date will be removed from the list of approved judges and be required to reapply for inclusion to the list of approved judges under the current procedure for admission of new applicants.

(5) judges must wear western attire, including hat and boots, while judging an AQHA-approved show **except when judging a dual approved AQHA/USEF hunter competition when they may wear appropriate English judging attire.**

(11) must be at least 25 years of age to apply; the mandatory retirement age of AQHA-approved judges is 75. **AQHA Specialized Novice Show Judges must be 21 years of age to apply.**

(13) specialized applicants must hold and maintain a judges card with the alliance in that discipline. (i.e. **CMSA**, NCHA, NRHA, NRCHA, **USTPA**)

(15) to maintain judging eligibility, an individual must:

(B) Judge a minimum of four (4) AQHA-approved shows per calendar year beginning January 1 of the year after which the individual becomes an AQHA-approved judge. **AQHA-Approved Specialized Judges must judge a minimum of one (1) AQHA-Approved Show every three (3) years beginning the date they go on the list of AQHA-Approved Judges.**

#### **441. PROHIBITED CONDUCT**

**(f) AQHA Stewards (see Rule 437.5) may immediately issue a warning or removal cards from show ground to individuals whose conduct is in violation of subsections (a), (c) and/or (d) above and shall file a written report with AQHA concerning the conduct in question. Individuals receiving two (2) warning cards from AQHA Stewards in a twelve (12) month period may be cited to appear before an AQHA hearing committee in accordance with AQHA's disciplinary procedures. Regardless of whether an AQHA Steward is present at the show in question or whether an AQHA Steward takes action regarding violations subsections (a), (c) and/or (d) above, nothing herein prevents show management or AQHA from taking appropriate action with respect to individuals who violate such rules.**

(j) **Prohibited medication, drug, mechanical device or artificial appliance.**

(9) **The use of earplugs or cotton in the horse's ears are acceptable.**

#### **443. WESTERN EQUIPMENT**

(c) References to a bit in western performance classes mean the use of a curb bit that has a solid or broken mouthpiece, has shanks and acts with leverage. All curb bits must be free of mechanical device and should be considered a standard western bit. A description of a legal, standard western bit includes:

(2) Concerning mouthpieces, bars must be round, oval or egg shaped, smooth and unwrapped metal of 5/16" to 3/4" (8 mm to 20 mm) in diameter, measured 1" (25 mm) from the cheek. **However, wire on the sway bars (above the bars and attaching to the spade) of a traditional spade bit is acceptable.** They may be inlaid, but must be smooth or latex wrapped. Nothing may protrude below the mouthpiece (bar), such as extensions or prongs, including upward prongs on solid mouthpieces. The mouthpiece may be two or three pieces. A three-piece, connecting ring of 1 1/4" (32 mm) or less in diameter, or a connecting flat bar of 3/8" to 3/4" (10mm to 20 mm) measured top to bottom with a maximum length of 2" (50 mm), which lies flat in the horse's mouth, is acceptable.

(h) In all western classes, horses will be shown in a western saddle and appropriate bridle, snaffle bit or hackamore for the duration of the class. A western saddle is a common type of saddle distinguished by a large noticeable fork on which there is some form of horn, a high cantle and large skirts. Silver equipment will not count over a good working outfit. Horses 5-years-old and younger may be shown in a snaffle bit, hackamore, curb bit, half-breed or spade bit. Horses 6-years-old and older may only be shown in a curb bit, half-breed or spade bit. When a curb bit is used, a curb strap or curb chain is required, but must meet the approval of the judge, be at least one-half inch in width and lie flat against the jaw of the horse. Curb chains cannot be tied to the bit with string or cord. A broken strap or chain is not necessarily cause for disqualification.

(1) Optional equipment

(D) Protective boots, leg wraps and bandages are allowed in reining, working cow horse, team penning, barrel racing, pole bending, stake racing, jumping, tie-down roping, breakaway roping, dally team roping - heading, dally team roping - heeling, cutting and western horsemanship. **The use of slip on (easy care) horse boots or related footwear are not considered as protective boots and are permissible to be worn in all classes.**

(2) **Prohibited Equipment**

(D) Martingales and draw reins, except for speed events, team penning **and ranch sorting.**

**445. ATTIRE**

(a) In halter, speed events, team penning and other western classes, appropriate western attire is required which includes pants (slacks, trousers, jeans, etc.) long sleeves and collar (band, standup, tuxedo, etc.) western hat and cowboy boots. Special exception because of religious reasons or physical handicap must be requested by filing a written request to AQHA and obtaining written approval prior to participation. The hat must be on the rider's head when the exhibitor enters the arena. **At show management's option, a fine may be imposed to an exhibitor for loss of hat. Spurs and chaps are optional.**

**450. PERFORMANCE CLASSES**

(m) In open competition, an exhibitor may enter one or more horses in a class, but each horse may have only one rider per class. In individual open working events (reining, working cow horse, western riding, barrel racing, pole bending, jumping, working hunter, trail, tie-down roping, dally team roping - heading, dally team roping - heeling, team penning, ranch sorting and cutting) a rider may:

(1) Exhibit **three** horses in a junior class.

(2) Exhibit **three** horses in a senior class.

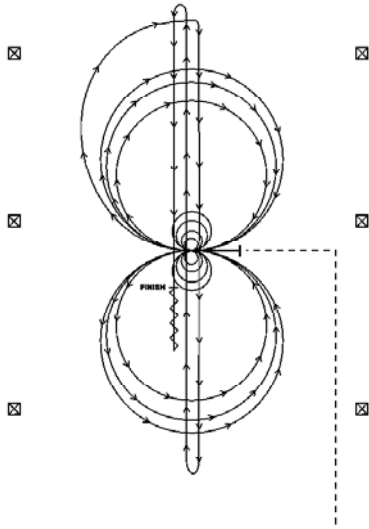
(3) Exhibit a maximum (total) of four horses in an all-age class. **There is no requirement for the number of junior horses and number of senior horses in an all age class.** If a junior class and a senior class is combined due to a lack of entries (may only be combined if there are two or less entries in one or both of the junior and senior classes) (see 450 e) that class will become an all-age class.

(n) In novice youth, youth, novice amateur, select amateur and amateur in individual working events, (reining, working cow horse, western riding, barrel racing, pole bending, youth stakes race, jumping, working hunter, trail, breakaway roping, tie-down roping, dally team roping – heading, dally team roping – heeling, team penning, ranch sorting and cutting) an exhibitor may show **three** horses regardless of sex (except youth, novice youth and novice amateur where stallions may not be exhibited).

(o) A select exhibitor, in individual working events may show any combination in select and amateur as long as a maximum of **three** different horses is exhibited and that horse is only shown one time by any exhibitor in that class. For example, a select exhibitor in individual working events may exhibit all three horses in the amateur, all three horses in the select, two horses in select and one in amateur or one in select and two in amateur. A horse may only be exhibited one time in a class in either select or amateur no matter the exhibitor.

**(p) A select exhibitor, in select amateur or amateur classes, may show up to two different horses in group classes (showmanship at halter, western pleasure, western horsemanship, hunter under saddle, hunter hack, hunt seat equitation, equitation over fences and pleasure driving) as long as one horse is shown in the amateur group class and a different horse is shown in the select group class. Should the classes be combined, the select amateur must choose on which horse to compete.**

## REINING PATTERN NUMBER 11



**Horses must jog the majority of the way to the center. Failure to jog the majority of the way to the center will result in a 0 for failure to complete the pattern as written. Horses must walk or stop prior to starting pattern. Beginning at the center of the arena facing the left wall or fence.**

**1. Complete four spins to the left. Hesitate.**

**2. Complete four spins to the right. Hesitate.**

**3. Beginning on the right lead, complete three circles to the right; the first circle small and slow; the next two circles large and fast. Change leads at the center of the arena.**

**4. Complete three circles to the left; the first circle small and slow; the next two circles large and fast. Change leads at the center of the arena.**

**5. Begin a large circle to the right, but do not close this circle. Run down the center of the arena past the end marker and do a right rollback - no hesitation.**

**6. Run up the middle to the opposite end of the arena past the end marker and do a left rollback - no hesitation.**

**7. Run past the center marker and do a sliding stop. Back up to the center of the arena or at least ten feet (three meters). Hesitate to demonstrate completion of the pattern.**

### **452. WORKING COW HORSE**

(l) A show may have up to three approved working cow horse classes.

(5) Boxing - Only offered for Novice Amateur and Novice Youth. Each contestant upon receiving a cow in the arena, shall hold that cow on the prescribed end of the arena for 50 seconds, demonstrating the ability of the horse and rider to control the cow. Time shall begin when the gate closes behind the cow after being let into the arena. The announcer or judge will signal the completion of the 50 seconds with a whistle or horn. **Each contestant will perform the reining pattern and the cow portion. There shall be no schooling between the completion of the rein work and the cow work, or between cows if a new cow is awarded.**

### **453A. GREEN WESTERN RIDING**

(d) The pattern must be selected from one of the three green patterns. At show managements option, one of the Green Western Riding patterns **or any western riding patterns** maybe used for Novice Amateur or Novice Youth.

(f) A contestant shall be penalized each time the following occur:

**Five (5) points**

•out of lead beyond the next designated change area (note: failures to change, including cross-cantering. Two consecutive failures to change would result in two five point penalties).

•blatant disobedience including kicking out, biting, bucking and rearing

•**holding saddle with either hand**

#### **456. RANCH SORTING**

(o) Three divisions, all-age youth, all-age amateur and all-age open may be offered. Select Amateur classes may also be offered as a separate class from all-age amateur. Points will be awarded based on the number of teams entered in the class. **For every five teams, there will be a point awarded to each of the two winning team members.**

#### **457. BARREL RACING. Barrel racing is a timed event.**

**(g) Drags will be conducted every seven head. Show management may drag more frequently.**

#### **458. POLE BENDING. Pole bending is a timed event.**

**(e) Drags will be conducted every seven head. Show management may drag more frequently.**

#### **459. STAKE RACE. This is a timed event.**

**(e) Drags will be conducted every seven head. Show management may drag more frequently.**

#### **460A. GREEN JUMPING**

**(a) The purpose of green jumping is to allow a horse to compete on an entry-level field with horses of the same level of experience. The green jumping is a stepping-stone to the more advanced level of competition with seasoned horses. This class should be judged according to the purpose of its intent. Fence heights shall be three feet to three feet three inches.**

**(b) Horses must be ridden with equipment that is approved as per AQHA equipment rules for jumping.**

**(c) With the exception of eligibility requirements and heights for the jumps, the same rules apply in green jumping class as apply in jumping.**

**(d) Horses eligible to compete:**

**(1) Horses in their first year of showing in AQHA approved shows in green working hunter, open working hunter, amateur working hunter, youth working hunter, amateur equitation over fences, youth equitation over fences, open jumping, amateur jumping or youth jumping.**

**(2) Horses that have shown during previous years in AQHA-approved green working hunter, open working hunter, amateur working hunter, youth working hunter, amateur equitation over fences, youth equitation over fences, green jumping, open jumping, amateur jumping, or youth jumping, but have not won more than 10 points or won more than \$1,000 in these events as of January 1 of the current show year. Points from all divisions will count and are cumulative in determining eligibility. Novice points will not count.**

**(e) Green jumping will not be held as a World Show class.**

**(f) Green jumping points are not eligible for Incentive Fund.**

#### **460B. JUMPING**

(c) Jump-offs will be held over the original course altered as outlined. In a jump-off, the sequence of obstacles may be in any order as long as the original direction is maintained, **with the exception of vertical obstacles being able to be jumped in the opposite direction from the first round.** The height and spread of at least 50 percent of the obstacles shall be increased not less than three inches (7.6 cm) and not more than six inches (15.2 cm) in height, and to a maximum spread of six feet (1.8 meters). Courses may be shortened after the **first round that might include obstacles that might not have been used in the first round.** However, the course may not be shortened to less than 50 percent of the original obstacles and must include at least one vertical and one spread jump. When a jump-off is required, the winner will be decided on time only if faults are

equal. If two or more horses are disqualified in the timed jump-off and are tied for a point, they are not to be rejumped, but should flip a coin to break the tie.

#### **461. WORKING HUNTER**

(b) A hunter course shall be any course that management deems a fair test of a hunter. Judges are responsible for correctness of each course after it has been set and shall call the show committee's attention to any errors that would tend to result in unfair or inappropriate courses. The judge must walk the course and has the right and duty to alter the course in any manner to ensure its safety. The judge may remove or change any obstacle he deems unsafe or non-negotiable. **There will be a minimum five minute warm up period after the course walk is closed before the first competitor is called to the ring to compete.**

#### **462. PROGRESSIVE WORKING HUNTER**

(b) Eligibility requirements are for horses of all ages who have no previous AQHA points in Open Working Hunter, Amateur Working Hunter, Youth Working Hunter, Amateur Equitation Over Fences, Youth Equitation Over Fences, **Green Jumping**, Open Jumping, Youth Jumping and Amateur Jumping and who have not exhibited in a class 3' and over in competition.

(d) Horses eligible to compete:

(2) Horses that have shown during previous years in AQHA-approved green working hunter, open working hunter, amateur working hunter, youth working hunter, amateur equitation over fences, youth equitation over fences, **green jumping**, open jumping, amateur jumping or youth jumping, but have not won more than 10 points or won more than \$1,000 in these events as of January 1 of the current show year. Points from all divisions will count and are cumulative in determining eligibility. Novice points will not count.

#### **469. TIE-DOWN □ ROPING**

**One (1) Point**

•dragging the calf **will be penalized** one point for each three feet moved up to 12 feet.

#### **471. DALLY TEAM ROPING**

(l) The heading horse will be judged on four different maneuvers:

**Three (3)Point**

•**additional loop on either end**

(m) The heeling horse will be judged on four different maneuvers:

**Three (3)Point**

•**additional loop on either end**

**472. CUTTING.** AQHA strongly recommends AQHA-approved cutting classes be held whenever possible.

**(f) Scoring will be on the basis of 60-80, with 70 denoting an average performance. Penalties are assessed per occurrence as follows:**

**One-Half (1/2) Point**

•**slight miss or slight loss of working advantage**

**One (1) Point**

•**miss or loss of working advantage**

•**reining or visibly cueing**

•**noise, directed toward cattle**

•**toe, foot or stirrup on shoulder of horse**

•**holding on too long on a cut**

•**working out of position**

**Three (3)Point**

•**hot quit**

•**cattle picked up or scattered**

- second hand on the reins (including two hands on romal rein)
- spur in the shoulder
- pawing or biting cattle
- failure to make a deep cut
- back fence

**Five (5) Point**

- horse quitting a cow
- losing a cow
- changing cattle after a specific commitment
- failure to separate a single animal after leaving the herd

**Score of 60**

- if horse turns tail
- if horse falls to ground

**Disqualified (0) – Score**

- illegal equipment
- leaving working area before time expires
- inhumane treatment of horse
- riding with romal or closed rein on snaffle bit/hackamore

**478. VERSATILITY RANCH HORSE**

(f) RANCH RIDING - Ranch riding and ranch trail will be shown back to back. Each exhibitor will perform the trail obstacle course and then immediately perform the ranch riding pattern along perimeter of arena **or in the vicinity of the ranch trail obstacles.** The suggested ranch riding pattern may be used or another pattern may be drawn as long as all elements of the class are fulfilled. The ranch riding class shows the horse's ability to move at a working speed with a rider. Horses will be shown individually at three gaits - walk, trot and lope - in each direction of the arena. Horses will also be asked to reverse away from the rail, to stop and back. The judge must ask for an extended trot and extended lope at least one direction of the ring. A horse will be given credit for traveling with his head held in a normal position, ears alert and moving at a natural speed for the gait requested. Credit will also be given for making a smooth transition between the gaits, for keeping the correct lead, and for maintaining the gait requested until the judge requests a change. A rider must show his horse with only one hand on the reins, unless the horse is 5 years old or younger and is being shown in a snaffle bit or hackamore (bosal). Judges are encouraged to work exhibitors thoroughly, if time permits.

(h) RANCH CUTTING

(1) For Open and Amateur, the number of designated cattle will equal the number of entries and the number of non-numbered cattle also equals the number of entries. **For European countries, the number of designated cattle will equal the number of entries but the number of non-numbered cattle will be at the option of show management. If European show management chooses just one numbered cow per entry and no non-numbered cattle, there will be a one and one-half minute time limit.**

**0 – Score**

- failure to work designated cow

(i) WORKING RANCH HORSE:

(3) The reining portion will be performed first using one of the three patterns approved for this class. **The American Stock Horse Association reining patterns may be used at dual approved shows.** Each contestant will perform the required pattern individually and separately.

**(10) For Novice Amateur and Youth there will be a four minute time period to complete both portions of the class. Each contestant will perform the required pattern, he will call for the cow to be turned into the arena. Upon receiving the cow, contestant shall hold the cow on the prescribed end of the arena for sufficient time to demonstrate the ability of the horse to contain the cow on that end. After a reasonable amount of time, the contestant shall take the cow down the fence past the center marker to show completion of the class.**

**479. COWBOY MOUNTED SHOOTING. Is an AQHA approved event.** This is a fast-action, timed event over specific courses with a high degree of speed and agility from the horse and skilled shooting from the rider. Competitions will be held at existing Cowboy Mounted Shooting Association events. Approval privileges will be granted or denied by CMSA. All five AQHA divisions may be offered which include Open, Amateur (Select Amateur), Youth, Novice Youth and Novice Amateur. Please see the AQHA Official handbook regarding eligibility for each division. Each exhibitor must possess a current AQHA individual membership. Memberships may be sold at the show. Horse must be a registered American Quarter Horse with proper ownership pertaining to each division. Points will be awarded in each division according to the existing point structure. Points and placing will be recorded on horses' and exhibitors' records. All points are eligible for existing awards including register of merit, incentive fund, year end high-point etc. Please see Cowboy Mounted Shooting Association for specific rules governing each class. Cowboy Mounted Shooting Association is an AQHA alliance partner.

**480. DRESSAGE. Is an AQHA approved event.** AQHA will recognize these levels of dressage competition starting with the highest test in Training Level, continuing through First Level, Second Level, Third Level, Fourth Level, FEI Prix St. George, FEI Intermediate I, FEI Intermediate II, and FEI Grand Prix. Dressage will be offered and approved through USEF/USDF licensed competitions holding an AQHA approved class. Approval must be obtained through AQHA at least 60 days prior to the competition and approval fee is \$50. Horse must be a registered American Quarter Horse and exhibitor must have a current individual AQHA membership. Open, amateur and youth eligibility based on AQHA criteria. A one-time license fee of \$85 for the horse must be recorded with AQHA prior to the competition. The percentage score will be converted into a point value. Points will be awarded in each division and recorded on horses' records. All points are eligible for existing awards including register of merit, incentive fund, year end high-point etc. Once an individual has earned 20 points in Training Level, or 20 points in First Level, or has earned 10 points in Second Level or 10 points in Third Level or 10 points in Fourth Level he/she will no longer be eligible to participate in that level and earn points in subsequent years, but may continue to compete in that Level until the end of the calendar year in which the afore-mentioned instances occurred.

### DRESSAGE SCORE CONVERSION

	SCORES			
	60-65	66-70	71-75	76+
	POINT CONVERSION			
Training Level Highest Test	1	2	3	4
First Level	1.5	3	4.5	6
Second Level	2	4	6	8
Third Level	2.5	5	7.5	10
Fourth Level	3	6	9	12
FEI	4	8	12	16